

HDC-301

PCI video/audio capture card with one HDMI input channel and one HDMI output, 1920x1080@60p, and H.264 Hardware Codec



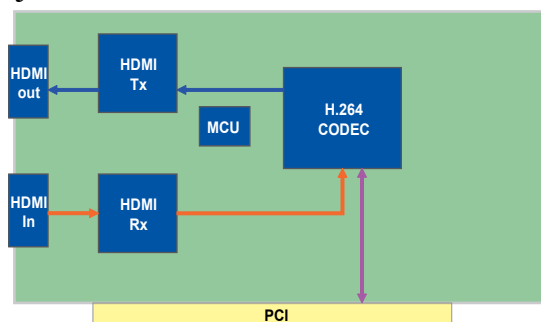
H.264 Hardware Codec



Features

- Compatible with Windows® XP, Windows® 7 and Linux
- Equipped with one HDMI input port
- Encoding or decoding up to 1080p HD video
- Pass through for transmitting uncompressed video up to 1080p resolution
- Captures or records HD video in H.264 format
- Reduce the amount of hard disk space needed by real-time H.264 recording compression capability
- SDK available for customer to create customized applications

System Block



Specifications

◆ Interface

Video Input	1 channel
Video Input Type	HDMI
Audio Input	1 channel
Audio Input Type	HDMI
Video Output	1 channel
Video Output Type	HDMI
Audio Output	1 channel
Audio Output Type	HDMI
Bus Interface	PCI
Loop Through	1 channel

◆ Video Processing

Video Compression	H.264/AVC High Profile Level 4.2
Input Resolution & Frame Rate	1920 x 1080 x 60p / 59.94p / 50p 720 x 480 x 60i / 59.94i 1920 x 1080 x 60i / 59.94i / 50i 720 x 576 x 50i 1280 x 720 x 60p / 59.94p / 50p
Record Resolution / Frame Rate / Bit Rate	1920 x 1080 x 60p / 59.94p / 50p, encoding video bit rate from 6Mbps to 20Mbps 1920 x 1080 x 60i / 59.94i / 50i, encoding video bit rate from 6Mbps to 20Mbps 1280 x 720 x 60p / 59.94p / 50p, encoding video bit rate from 4Mbps to 20Mbps 720 x 480 x 60i / 59.94i, encoding video bit rate from 2Mbps to 10Mbps 720 x 576 x 50i, encoding video bit rate from 2Mbps to 10Mbps

◆ Functionality

Multiple Card Support	No
-----------------------	----

◆ Audio Processing

Audio Compression	MPEG-1 Audio Layer 2
Bit Rate	256k

◆ System Requirement

System	x86 PC compatible computer, Intel® Pentium® 4 2.0GHz or above for video record Recommends using a DXVA or CUDA capable graphics card for real-time video playback
Memory	1GB or more
OS Environment	Microsoft® Windows® XP Service Pack 2 (SP2) (32-bit version) Microsoft® DirectX 9.0c (32-bit) Microsoft® .NET Framework 2.0 (32-bit version) Linux: Fedora 16 (Kernel 3.1)

◆ Software Support

Device Driver	Compatible with Windows® XP, Windows® 7, Linux Kernel 3.1
SDK	Windows®: Provides SDK and demo program with sample source code in C# Linux: Provides SDK and driver/demo program with sample source code in C

◆ Others

Dimensions	168 mm x 64 mm
Operating Temperature	0°C ~ 65°C, non-condensing
Power Consumption	5.29W (5V@0.73A, 3.3V@0.49A)

Packing List

1 x HDC-301 capture card	
1 x Full size bracket	
1 x Utility CD	1 x QIG

Ordering Information

Part No.	Description
HDC-301-R10	PCI video/audio capture card with one HDMI input channel and one HDMI output, 1920x1080@60p, and H.264 Hardware Codec